



GARDEN STEEL

modern
garden
solutions

HEARTH · BARBECUE · FENCES

manufacturer:
DOMAR

PPHU DOMAR
Dominika Rembisz
Łowisko 240
36-053 Kamień
VAT ID : PL 517-036-66-36
d.rembisz@gardensteel.pl

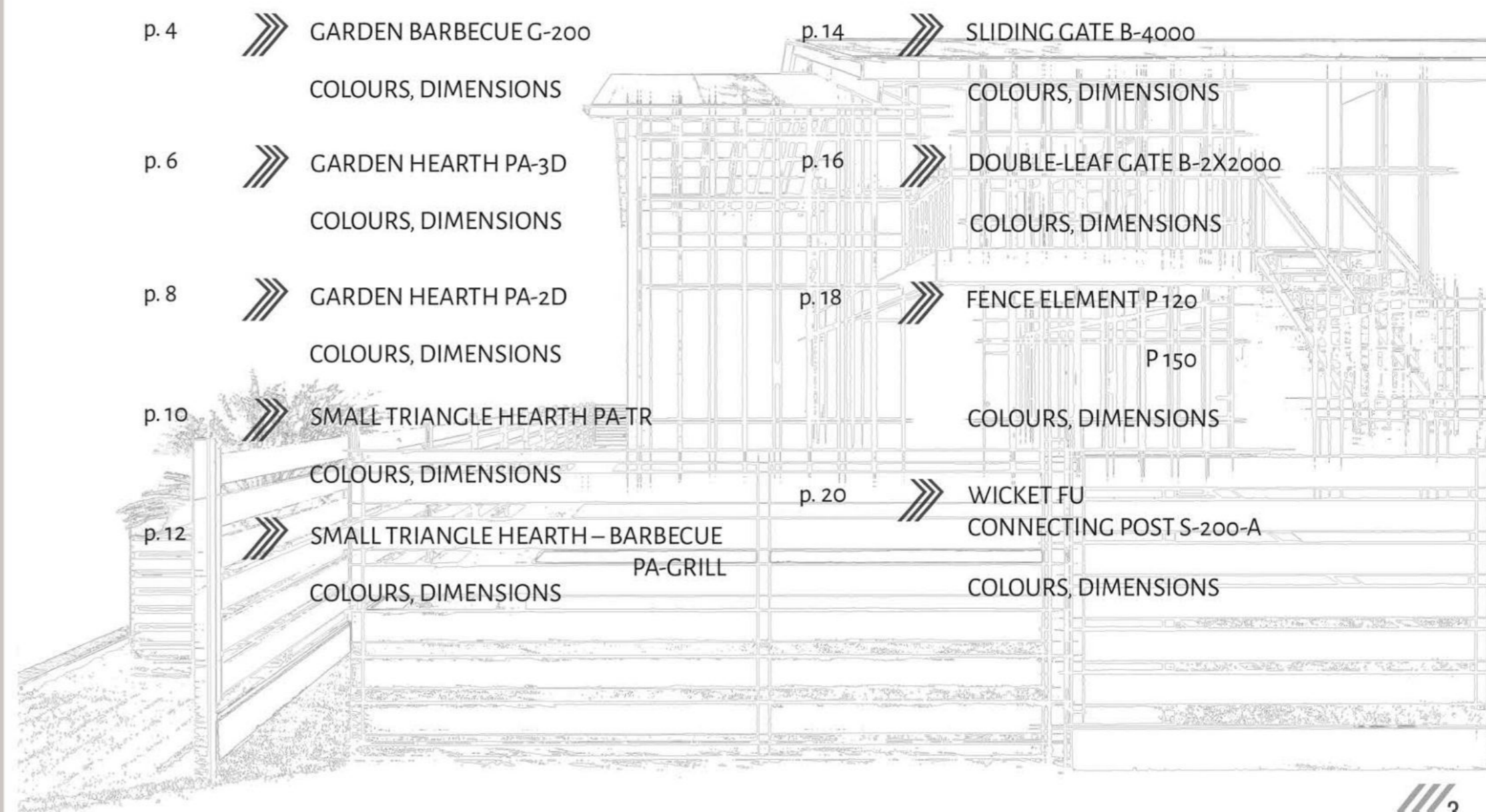
Export Manager:
Mirosław Opłocki
Tel. + 48 723 723 414
+ 44 772 424 52 54
export@gardensteel.pl

www.gardensteel.pl

Design and implementation of catalogue:
Katarzyna Łach

Technological design and implementation:
Sebastian Chmura

Contents:



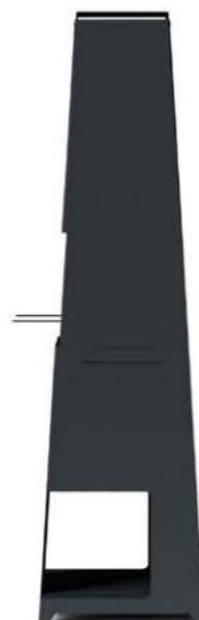
p. 4	➤➤➤	GARDEN BARBECUE G-200 COLOURS, DIMENSIONS	p. 14	➤➤➤	SLIDING GATE B-4000 COLOURS, DIMENSIONS
p. 6	➤➤➤	GARDEN HEARTH PA-3D COLOURS, DIMENSIONS	p. 16	➤➤➤	DOUBLE-LEAF GATE B-2X2000 COLOURS, DIMENSIONS
p. 8	➤➤➤	GARDEN HEARTH PA-2D COLOURS, DIMENSIONS	p. 18	➤➤➤	FENCE ELEMENT P120 P150 COLOURS, DIMENSIONS
p. 10	➤➤➤	SMALL TRIANGLE HEARTH PA-TR COLOURS, DIMENSIONS	p. 20	➤➤➤	WICKET FU CONNECTING POST S-200-A COLOURS, DIMENSIONS
p. 12	➤➤➤	SMALL TRIANGLE HEARTH – BARBECUE PA-GRILL COLOURS, DIMENSIONS			

GARDEN BARBECUE

GR-200



FRONT VIEW



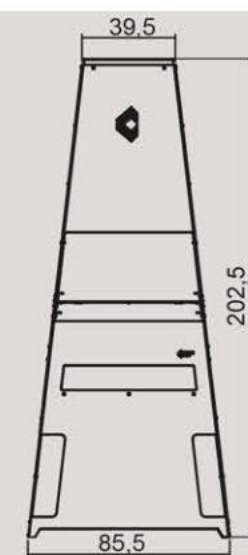
SIDE VIEW

COLOURS*

Black
RAL 9005
#13100d

* Product available in one colour only.
Colour of visualization is different than real one.

Barbecue is an essential element of garden in summer time. Who don't like to seat at the barbecue with great company? Our product combine positive esthetical and technical aspects. Barbecue is made with metal sheet 3mm thickness, laser cutting and forming on the edge press. Elements are connected together by bolts. Whole construction is corrosion protected painted by heat resistant paint.



FRONT DIMENSIONS

HEIGHT:	202,5 cm
TOP WIDTH:	39,5 cm
BOTTOM WIDTH:	85,5 cm

SIDE DIMENSIONS

TOP WIDTH:	31,5 cm
BOTTOM WIDTH :	55 cm

WEIGHT:	115 kg
---------	--------



GARDEN HEARTH

PA-3D



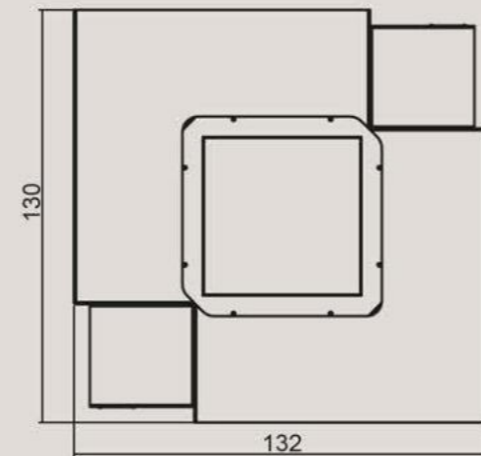
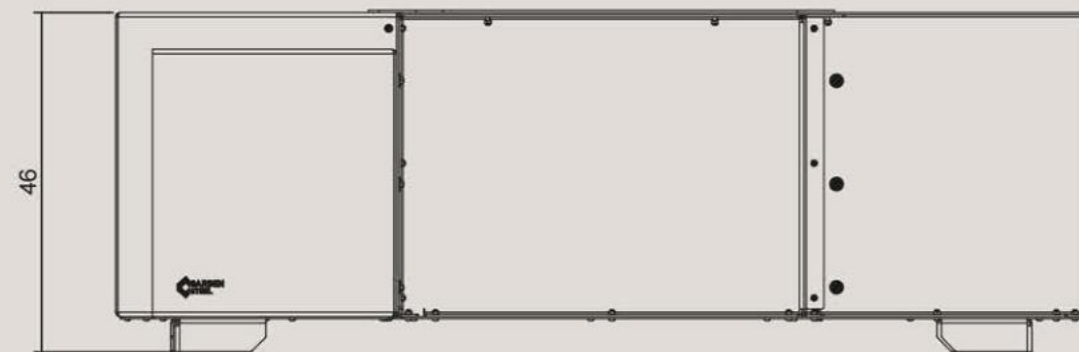
COLOURS*

Black
RAL 9005
13100d

* Product available in one colour only.
Colour of visualization is different than real one.

DIMENSIONS

HEIGHT:	46 cm
WIDTH:	132 cm
LENGTH:	130 cm
WEIGHT:	160 kg



For the people who have bigger garden and love hearths we recommend our hearth. In production process we use laser cutting technology from 3mm metal sheet, forming on the edge press and connecting by bolts. Product is corrosion protected by heat resistant paint. Hearth can be used in the garden or terrace. Wood storage place helps to enjoy relax moments in your garden.



GARDEN HEARTH

PA-2D



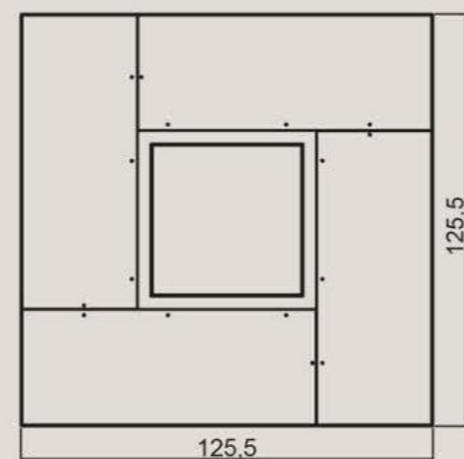
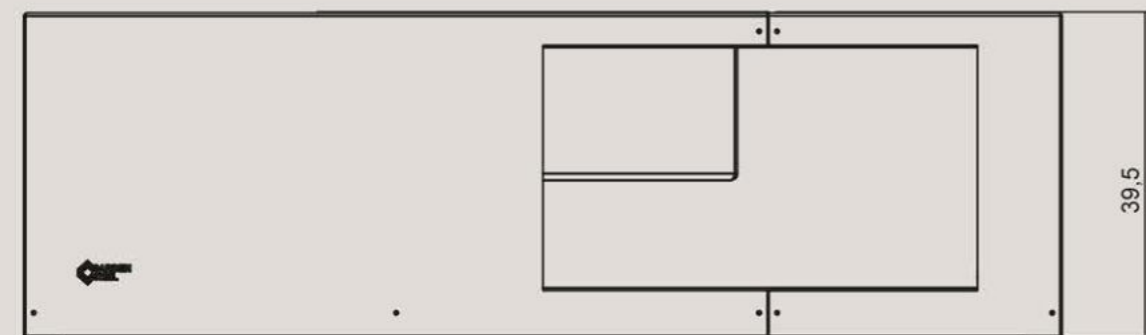
COLOURS*

Black
RAL 9005
13100d

*Product available in one colour only.
Colour of visualization is different than real one.

DIMENSIONS

HEIGHT:	39,5 cm
WIDTH:	125,5 cm
WIDTH:	125,5 cm
WEIGHT:	105 kg



2D hearth is a perfect solution for the people who love simple shapes. Production technology and protection is the same like previous model. The only difference is a bigger wood storage place.



SMALL TRIANGLE HEARTH

PA-TR



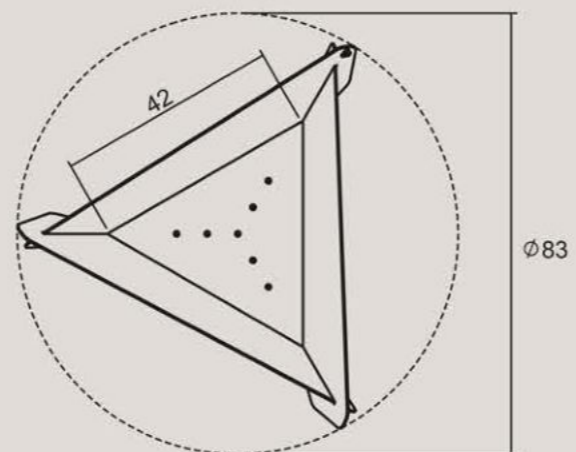
COLOURS*

Black
RAL 9005
13100d

* Product available in one colour only.
Colour of visualization is different than real one.

DIMENSIONS

HEIGHT :	20 cm
SIDE OF INTERNAL TRIANGLE :	42 cm
DIAMETR:	83 cm
WEIGHT:	10 kg



Following the customers who like mobility of the product we created small triangle hearth. Product made with 3mm metal sheet, laser cutting. Item is corrosion protected painted by heat resistant paint. Thanks to light and smart construction hearth can be folded and moved to another place. Can be used in any environment where open fire is allowed.



HEARTH/BARBECUE

PA-GRILL



COLOURS*

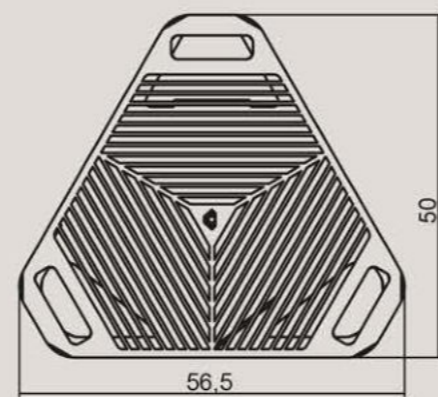
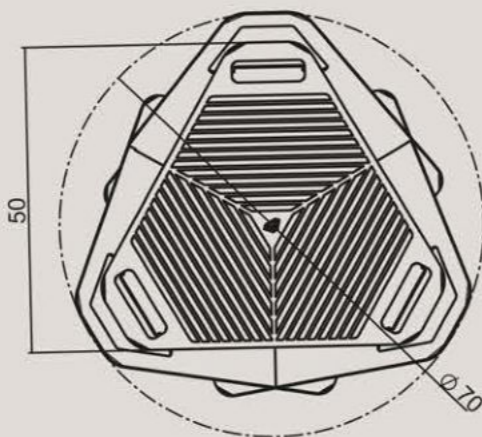
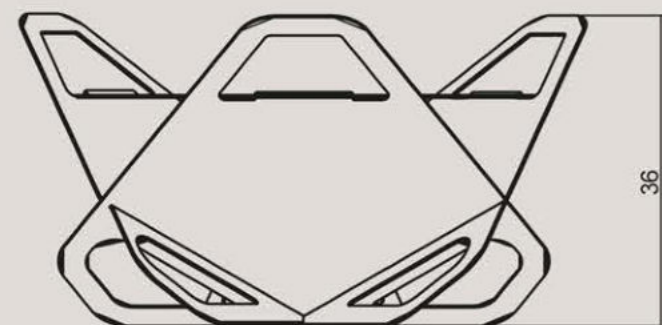
Black
RAL 9005
13100d

Stainless Steel

*Hearth is available in two colours,
grate is made with stainless steel only, unpainted.

DIMENSIONS

UNFOLDED HEIGHT:	36 cm
UNFOLDED DIAMETR:	70 cm
GRATE TRINGLE:	50x56,5 cm
WEIGHT:	13 kg

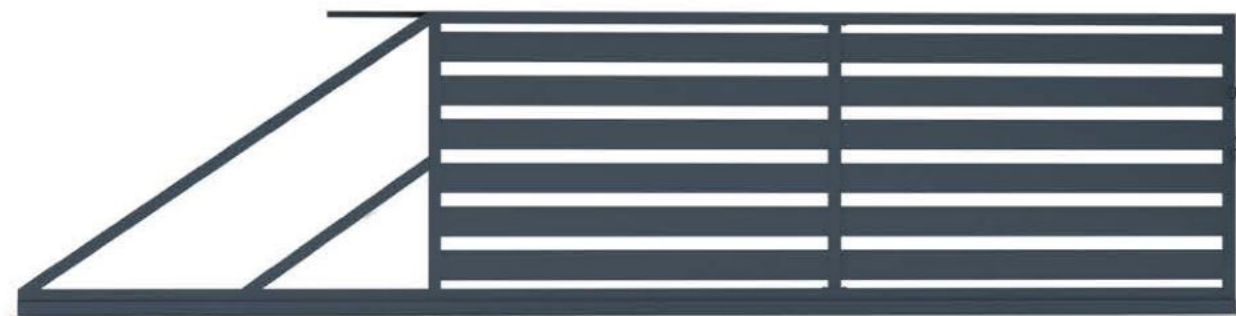


Hearth / barbecue is another model created by Garden Steel for the people who appreciate possibility of fast assembling of necessary equipment in any place. Presented hearth with barbecue function we made in two versions. First one is made in full with stainless steel, second one with 3mm metal sheet corrosion protected and painted by heat resistant paint. Grate is always made with stainless still.



SLIDING GATE

B-4000-A



Presented model is in Anthracite colour, filling of the gate is moulded metal sheet, available in three colours next .

COLOURS

White
RAL 9002
e5e5e5

Anthracite
RAL 7016
484b4c

Walnut
RAL 8023
965726

DIMENSIONS

HEIGHT OF THE GATE :	150 cm
WIDTH OF THE GATE :	400 cm
TOTAL WIDTH:	600 cm
WEIGHT:	125 kg

Protection of property is important thing in the private and public places. We created modern solution – panel fence. To satisfy customers with visual form and technical quality we use high quality components. On the visualisation below fence is built with spans 120x200cm, connected by posts and completed with sliding gate. Gate is mounted on the guide, frame made with laser cutting profile, connected by rivets. Gate is filled with moulded metal sheet. All fence is in Anthracite colour, metal elements are corrosion protected and painted.

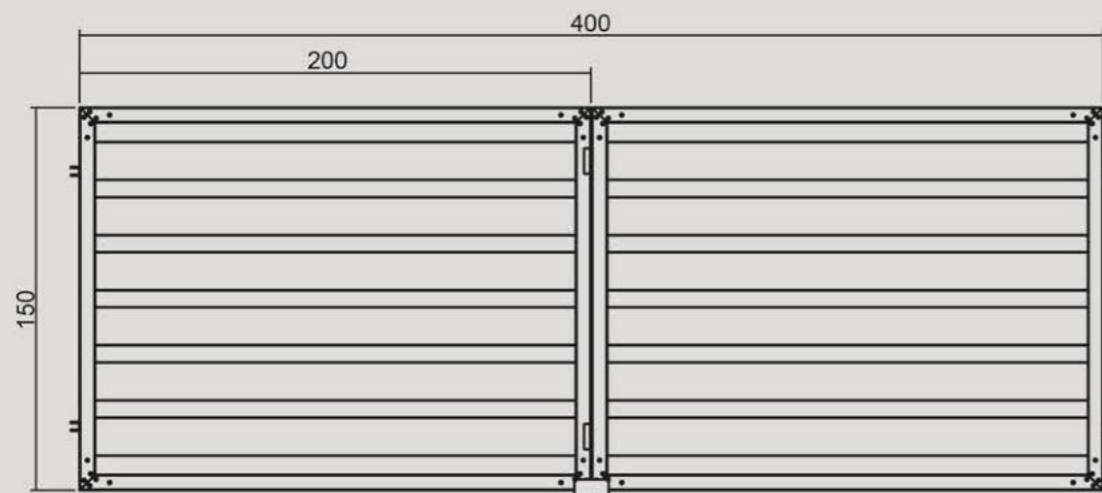


DOUBLE-LEAF GATE

B-2x2000-D



Presented model have frame in Anthracite colour, gate filled with moulded metal sheet, covered by wood-like veneer. Filling available in three colours presented next.



COLOURS

White
RAL 9002
e5e5e5

Anthracite
RAL 7016
484b4c

Walnut
RAL 8023
965726

DIMENSIONS

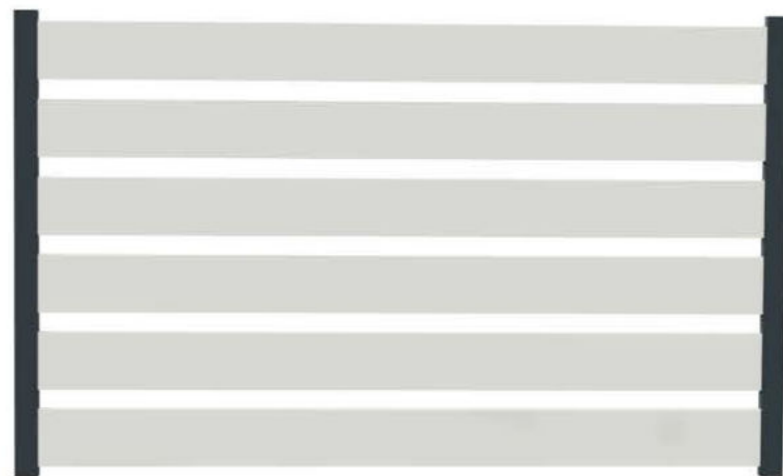
GATE HEIGHT:	150 cm
WING WIDTH:	200 cm
TOTAL WIDTH:	400 cm
WEIGHT:	75 kg

Most important element of every household is security. We provide solution to implement security in your household. Main element of fence is a gate presented on the visualisation below. Gate is double-leaf, one wing is 2 meters width, allow easy to pass your vehicle. Gate is mounted to post by adjustable hinge. Frame is made with laser cutting profile painted in Anthracite. Gate is filled with moulded metal sheet covered by wood-like veneer. Whole construction is corrosion protected. On the picture are completed elements – span, wicket described on following pages.

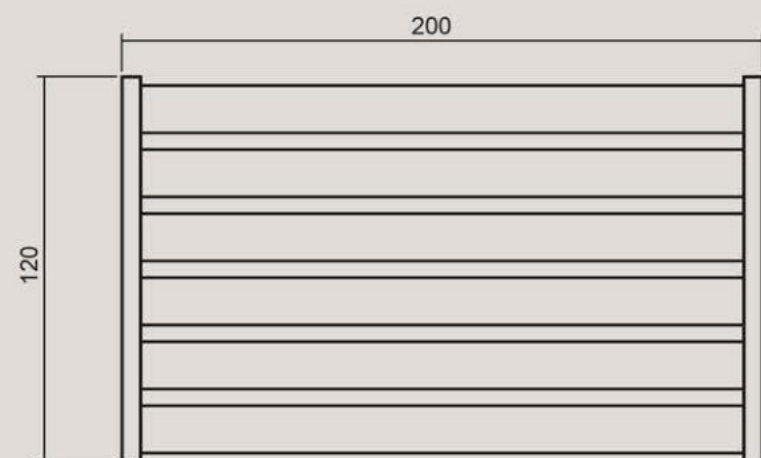


FENCE ELEMENT

P-120-B



Presented span have frame in Anthracite colour, filled by moulded metal sheet painted in white.
Filling available in three colours next.



COLOURS

White
RAL 9002
e5e5e5

Anthracite
RAL 7016
484b4c

Walnut
RAL 8023
965726

DIMENSIONS

SPAN HEIGHT: 120 cm
WIDTH: 200 cm
WEIGHT: 25 kg

AVAILABLE AS WELL

SPAN HEIGHT: 150 cm
WIDTH: 200 cm
WEIGHT: 30 kg

Comfort zone created by fence is a key to success in services industry. People like to visit new or modernized places. Fence implemented below with original construction and appearance made such place expressive. The image below shows fence of public building. For fence are used elements 120x200cm, plastered concrete blocks* and sliding gate. Span is mounted with adjustable angle profile, sliding gate mounted on the guide. All metallic elements are corrosion protected and painted. As supplement composition below contain our garden planters 40x50x50 available in different sizes and colours.



* Element not available at GARDEN STEEL

WICKET, CONNECTING POST

FU-B



S-200-A



COLOURS

White
RAL 9002
e5e5e5

Anthracite
RAL 7016
484b4c

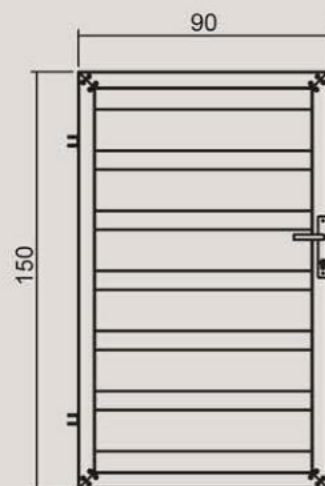
Walnut
RAL 8023
965726

WICKET DIMENSIONS

HEIGHT:	150 cm
WIDTH:	90 cm
WEIGHT:	22 kg

POST DIMENSIONS

HEIGHT:	200 cm
WIDTH:	8 cm
LENGTH:	8 cm
WEIGHT:	7 kg



Composition on the image below contain spans 120x200cm connected by plastered concrete blocks* and wicket (information on p.20). Wicket is made with laser cutting profile connected by rivets (frame) and filling with moulded metal sheet. Whole fence is in a white colour with anthracite elements. Metallic elements are corrosion protected and painted. This fence is created to secure a business place. Visualisation shows as well garden planters in two sizes and identical colour. Size of planters are 80x50x50cm(3pcs) and 40x50x100cm(2pcs).



* element niedostępny w GARDEN STEEL



www.gardensteel.pl



The DOMAR company is a manufacturer of garden pots & planters, vegetables planters, created in advanced sheet metal technology under the GARDEN STEEL brand.

Factory realizes an innovative project created for home growing and exposure of vegetables, flowers and ornamental plants.

Company is an award winner of 2021 Garden Novelties Competition.



 **GARDEN
STEEL**

DOMAR


www.gardensteel.pl